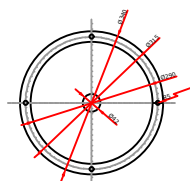
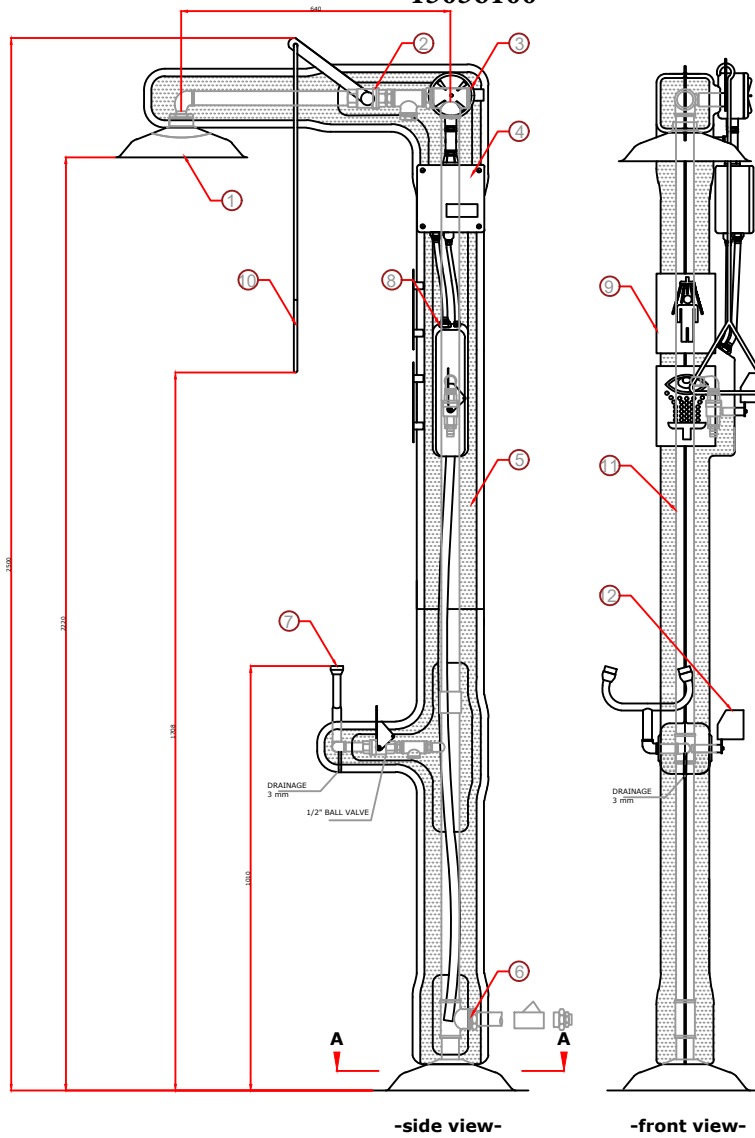


МОРОЗОСТОЙКИЙ ПОДОГРЕВАЕМЫЙ КОМБИНИРОВАННЫЙ ДУШ-ФОНТАН

15036100



section A-A

NO.	DESCRIPTION	MATERIAL
12	Push Handle Control for Eyewash	Stainless Steel
11	1 1/4" Pipe	Stainless Steel
10	Pull Rod Control for Shower	Stainless Steel
9	Emergency Sign	PVC (Luminous)
8	Electrical Heating Tape	Ex-proof (Zone I) 15 kw / m
7	Spray Nozzles	Brass
6	1 1/2" Water Inlet	Stainless Steel
5	Insulation	Polietilen
4	Mechanic Thermostat	Ex-proof (Zone I)
3	Junction Box	Ex-proof (Zone I)
2	1" Ball Valve	Stainless Steel
1	Shower head Bowl (Ø300mm)	Stainless Steel

	A REV. DATE FIRST ISSUE	SS FA ST SS FA ST	CUSTOMER
	DESCRIPTION DESIGNED CHECKED APPROVED	ORIGINAL EDITION DESIGNED CHECKED APPROVED	SIZE SCALE A4 1/100
STATUS FOR INFORMATION <input type="checkbox"/> FOR REVIEW <input type="checkbox"/> FOR APPROVAL <input type="checkbox"/>	FOR RFO/DESIGN <input checked="" type="checkbox"/>	PRODUCT 15036100	DRAWING NUMBER/DATE: 44/16-1
		SHEET: 1 OF: 1	DRAWING NAME: ВЗРЫВОЗАЩИЩЕННЫЙ ПОДОГРЕВАЕМЫЙ КОМБИНИРОВАННЫЙ ДУШ-ФОНТАН